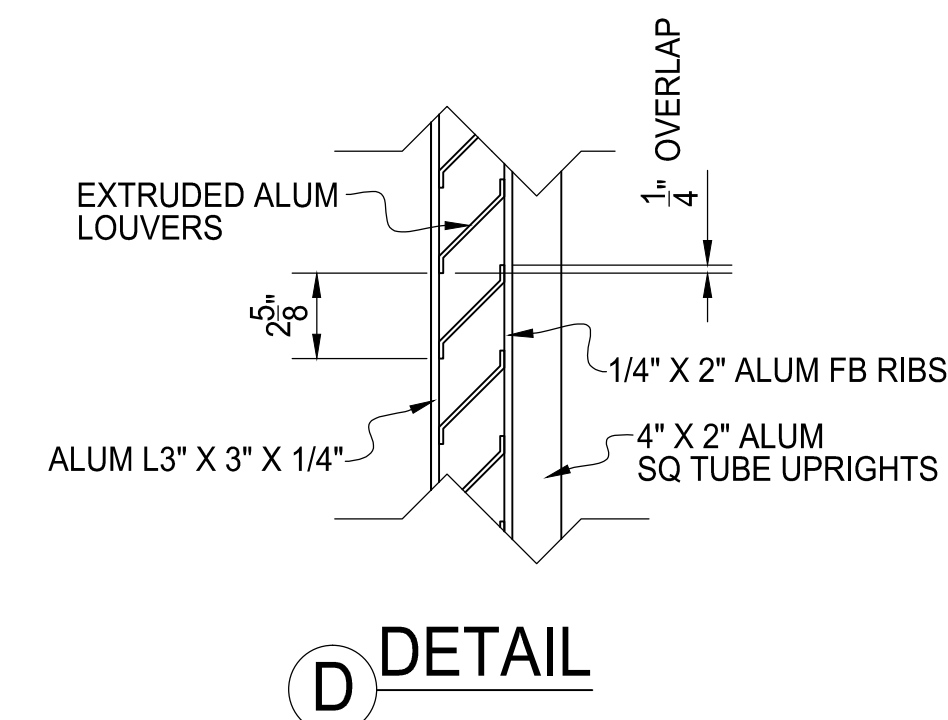
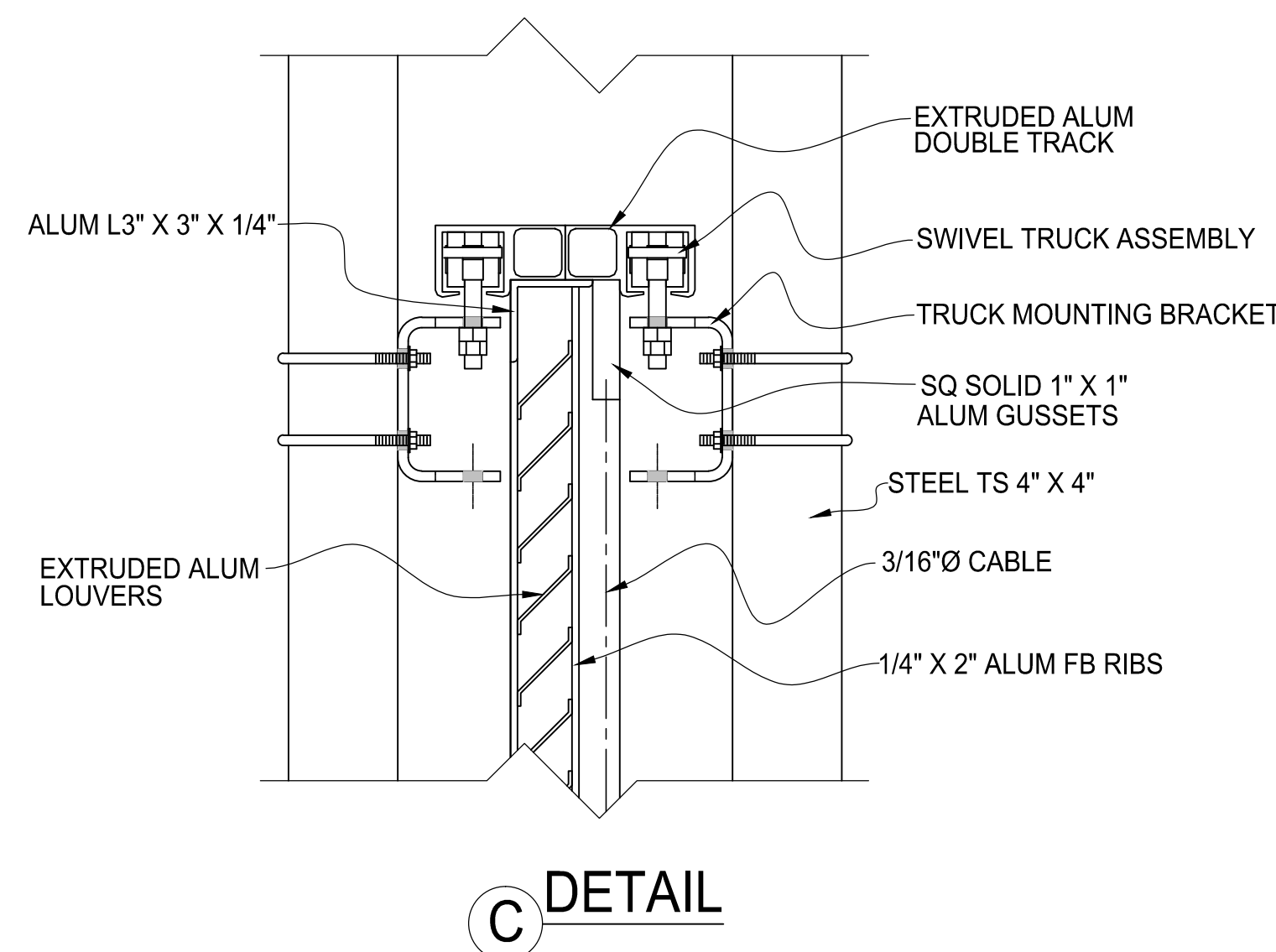
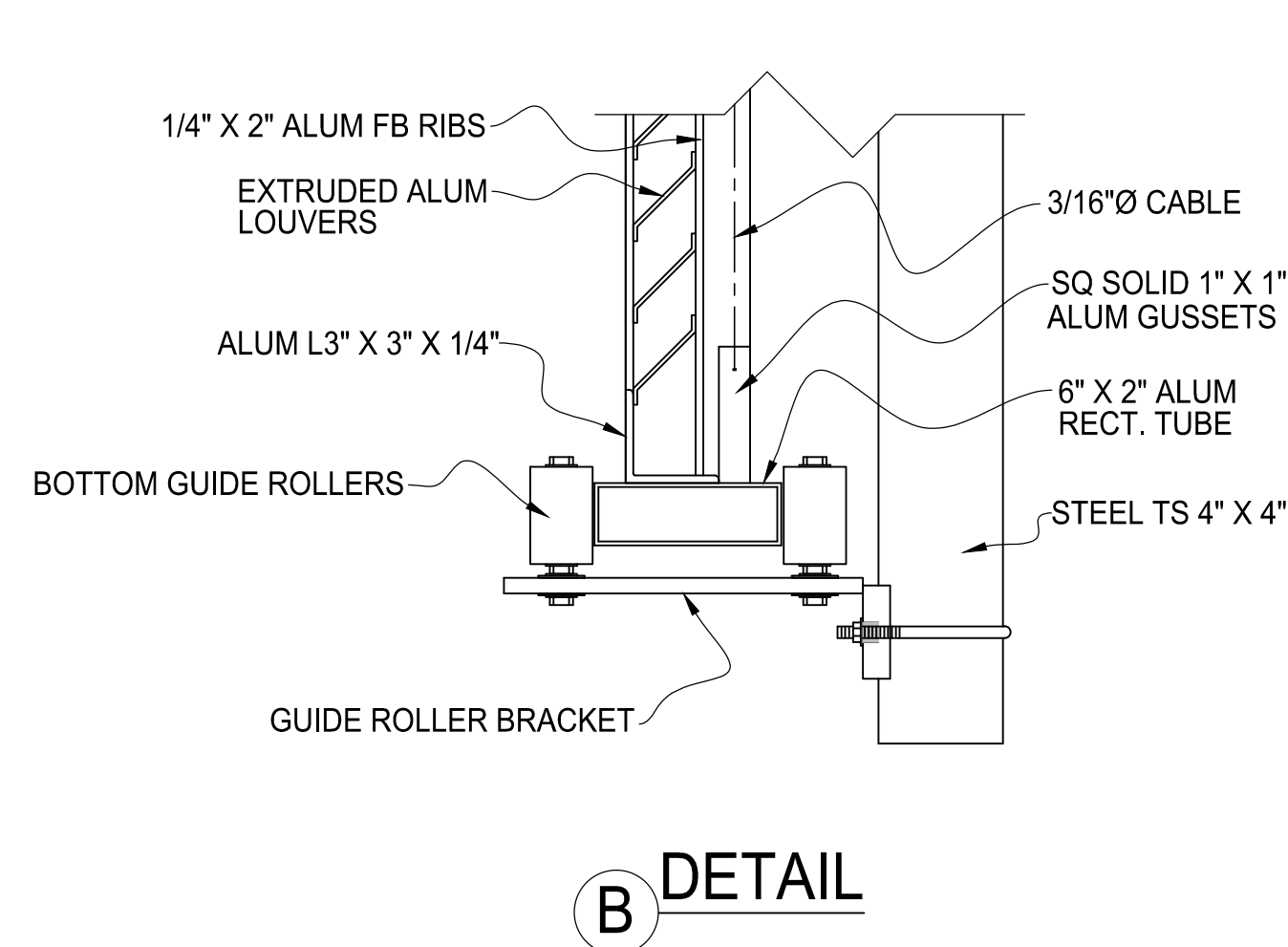


SLIDING CANTILEVER GATE  
OUTSIDE LOOKING IN



REV	DESCRIPTION	DATE



SLIDING CANTILEVER GATE  
HORIZONTAL LOUVER INFILL

AMERICAN FENCE PROJECT #	CLIENT PROJECT #
REFERENCE	SCALE N.T.S.
JOB #	DRAWN BY AF
CHD BY	DATE 02/28/2018
	REV SHEET # 09