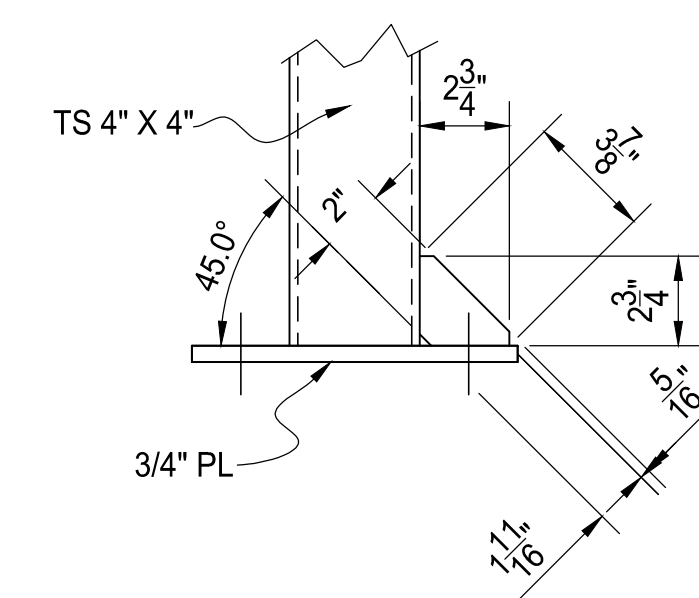


TYPICAL BASE PLATE DETAIL
STEEL



TYPICAL GUSSET DETAIL
STEEL

REV	DESCRIPTION	DATE



**GATE BASE PLATE
HORIZONTAL LOUVER INFILL**

AMERICAN FENCE PROJECT #	CLIENT PROJECT #
REFERENCE	
JOB #	
CHD	
BY	
SCALE: N.T.S.	DRAWN BY: AF DATE: 02/28/2018 REV: SHEET # 07