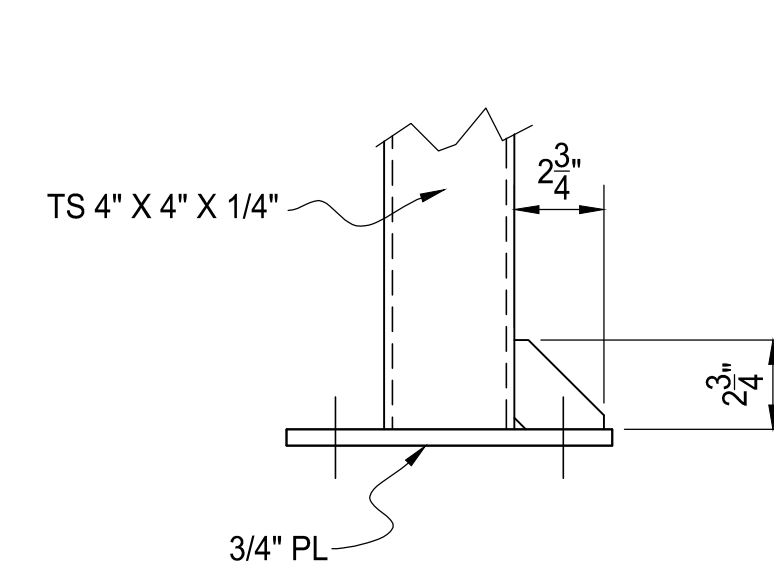


**TYPICAL BASE PLATE DETAIL**  
\*ALUMINUM\*



**TYPICAL GUSSET DETAIL**  
\*ALUMINUM\*

| REV | DESCRIPTION | DATE |
|-----|-------------|------|
|     |             |      |
|     |             |      |
|     |             |      |



**PANEL BASE PLATE  
HORIZONTAL LOUVER INFILL**

|                          |                  |
|--------------------------|------------------|
| AMERICAN FENCE PROJECT # | CLIENT PROJECT # |
| REFERENCE                |                  |
| JOB #                    |                  |
| CHD                      |                  |
| BY                       |                  |