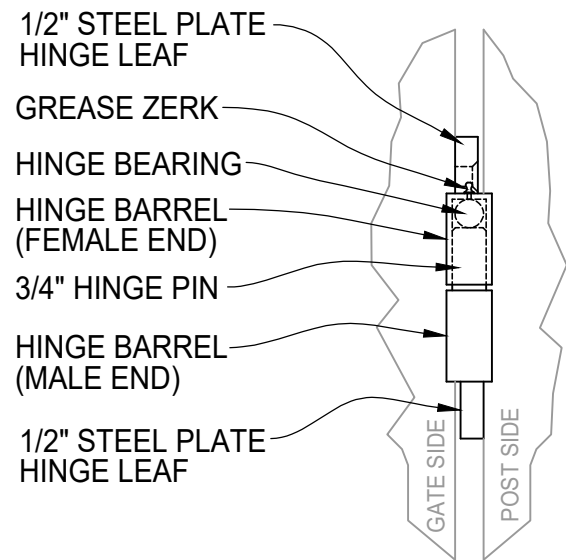
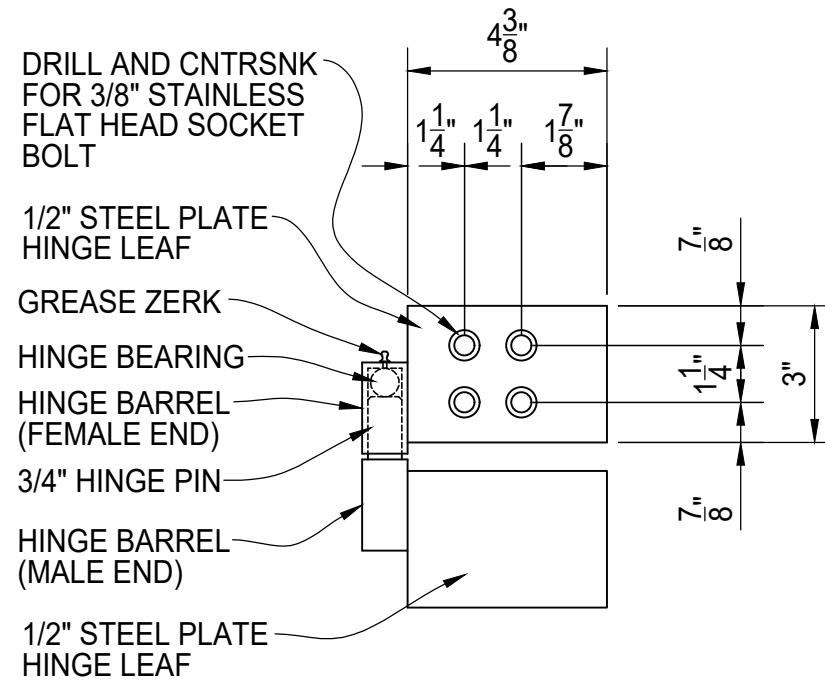


TOP

ZERK END IS FEMALE AND BOLTS TO GATE FRAME.
 MALE END IS TO BE FIELD WELDED TO GATE POST.
 (CAN BE SHOP WELDED UPON REQUEST)
 FIELD WELDING ALLOWS FOR MINOR ADJUSTMENTS
 TO BE MADE FOR PROPER ALIGNMENT.
 A "STOP" CAN BE FIELD WELDED TO THE GATE POST
 ABOVE THE HINGE TO PREVENT LIFT OFF.
 GORILLA HINGES ARE PRE-GREASED, BUT SHOULD
 BE GREASED AGAIN UPON INSTALLATION AND
 PERIODICALLY TO MAINTAIN PROPER FUNCTION.



FRONT



SIDE

GORILLA HINGE DETAIL

REV	DESCRIPTION	DATE



STANDARD HARDWARE
 GORILLA HINGE
 HINGE DETAIL

AMERICAN FENCE PROJECT	PART #
REFERENCE	PROJECT #
DATE	DATE