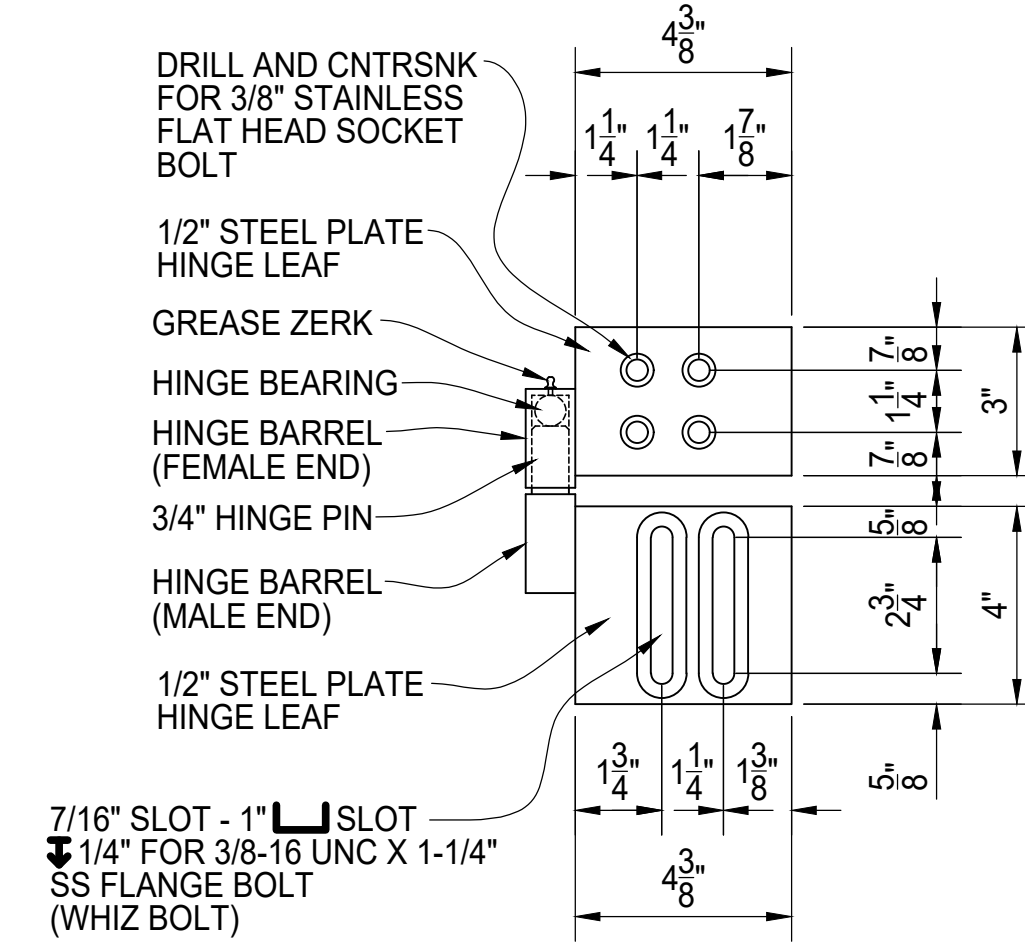
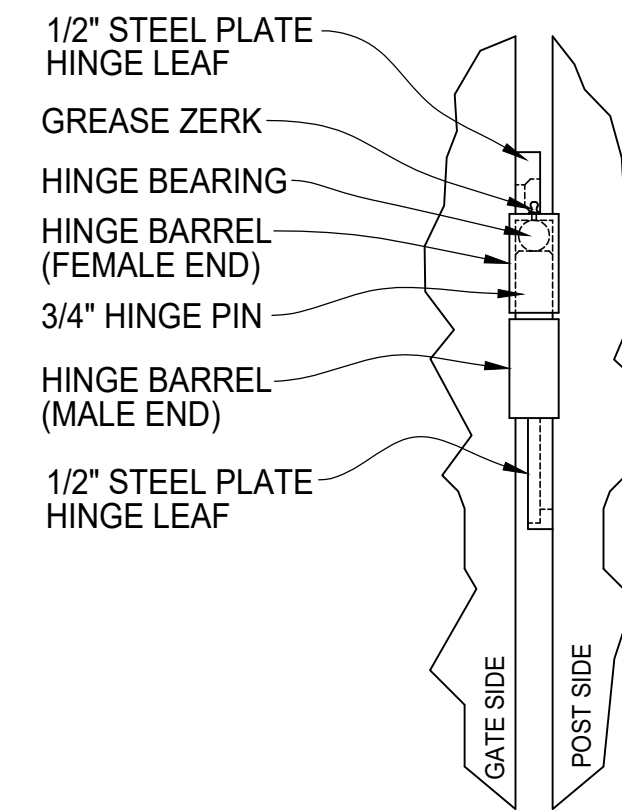
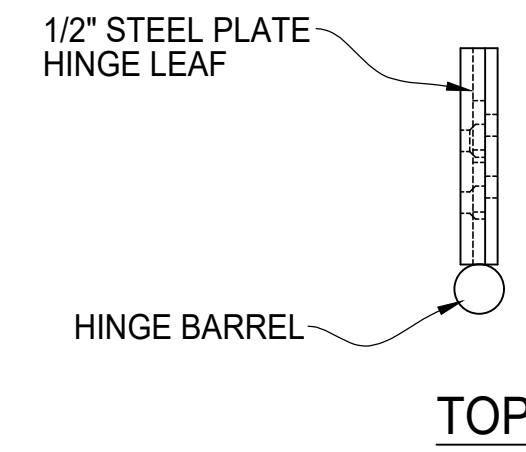
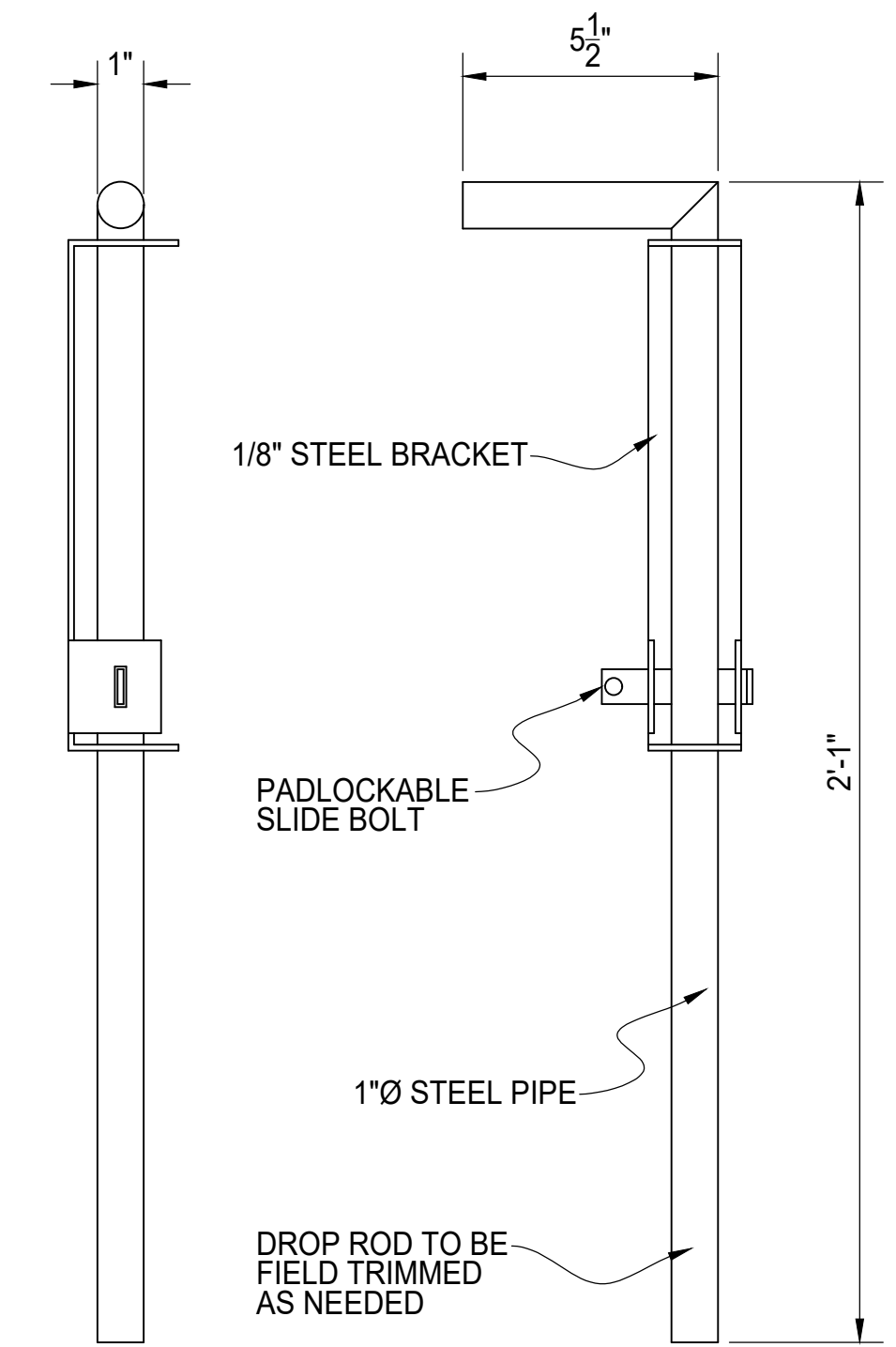


LATCH AND LOCK DETAIL



GORILLA HINGE 3000 DETAIL

ZERK END IS FEMALE AND BOLTS TO GATE FRAME.
MALE END IS TO BE BOLTED TO GATE POST.
MALE END HINGE LEAF PLATE IS SLOTTED TO
ALLOW FOR 3/4" ADJUSTMENT UP OR DOWN FOR
PROPER ALIGNMENT.
A "STOP" CAN BE FIELD WELDED TO THE GATE POST
ABOVE THE HINGE TO PREVENT LIFT OFF.
GORILLA HINGES ARE PRE-GREASED, BUT SHOULD
BE GREASED AGAIN UPON INSTALLATION AND
PERIODICALLY TO MAINTAIN PROPER FUNCTION.



DROP ROD DETAIL

REV	DESCRIPTION	DATE



GATE HARDWARE DETAILS