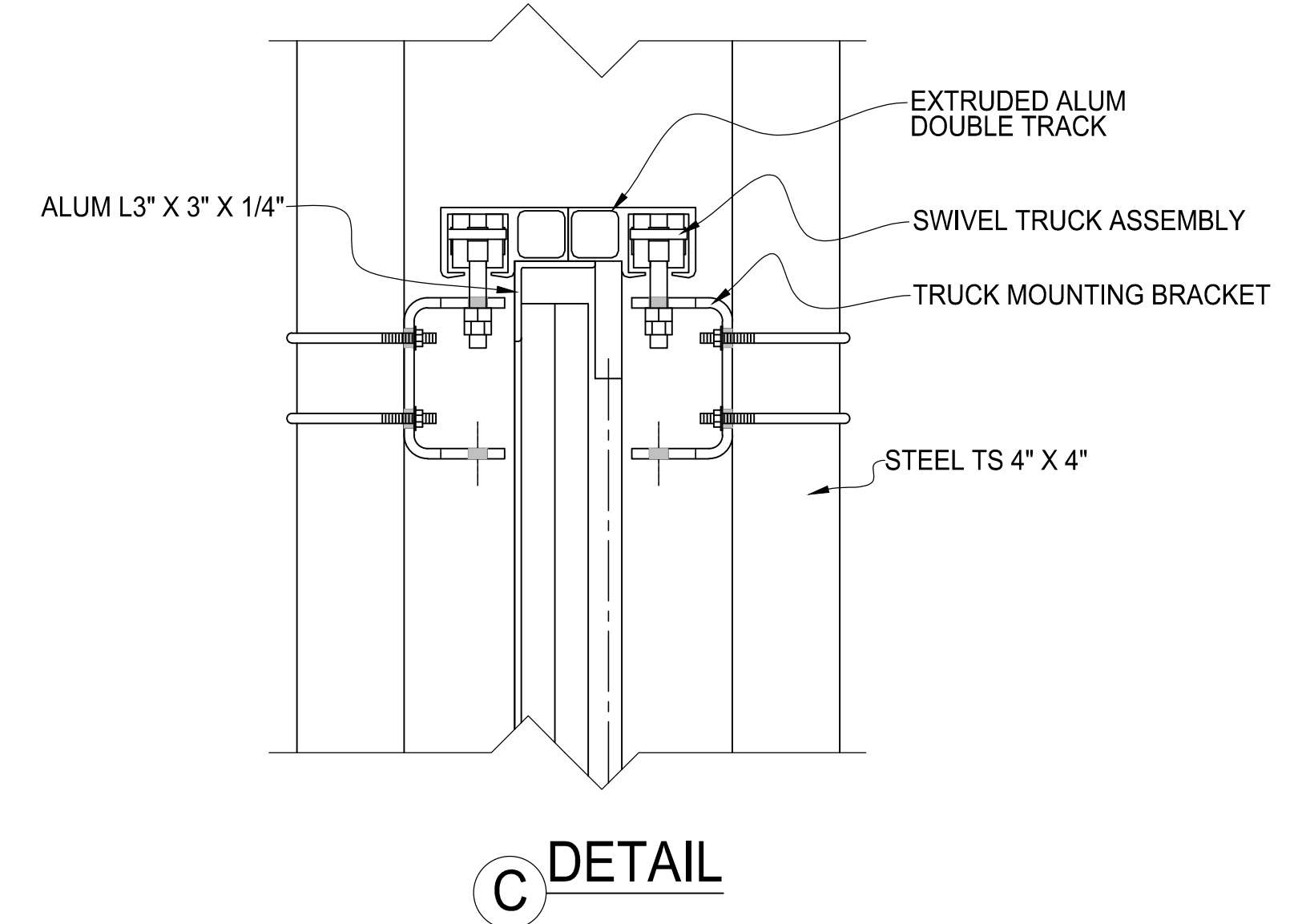
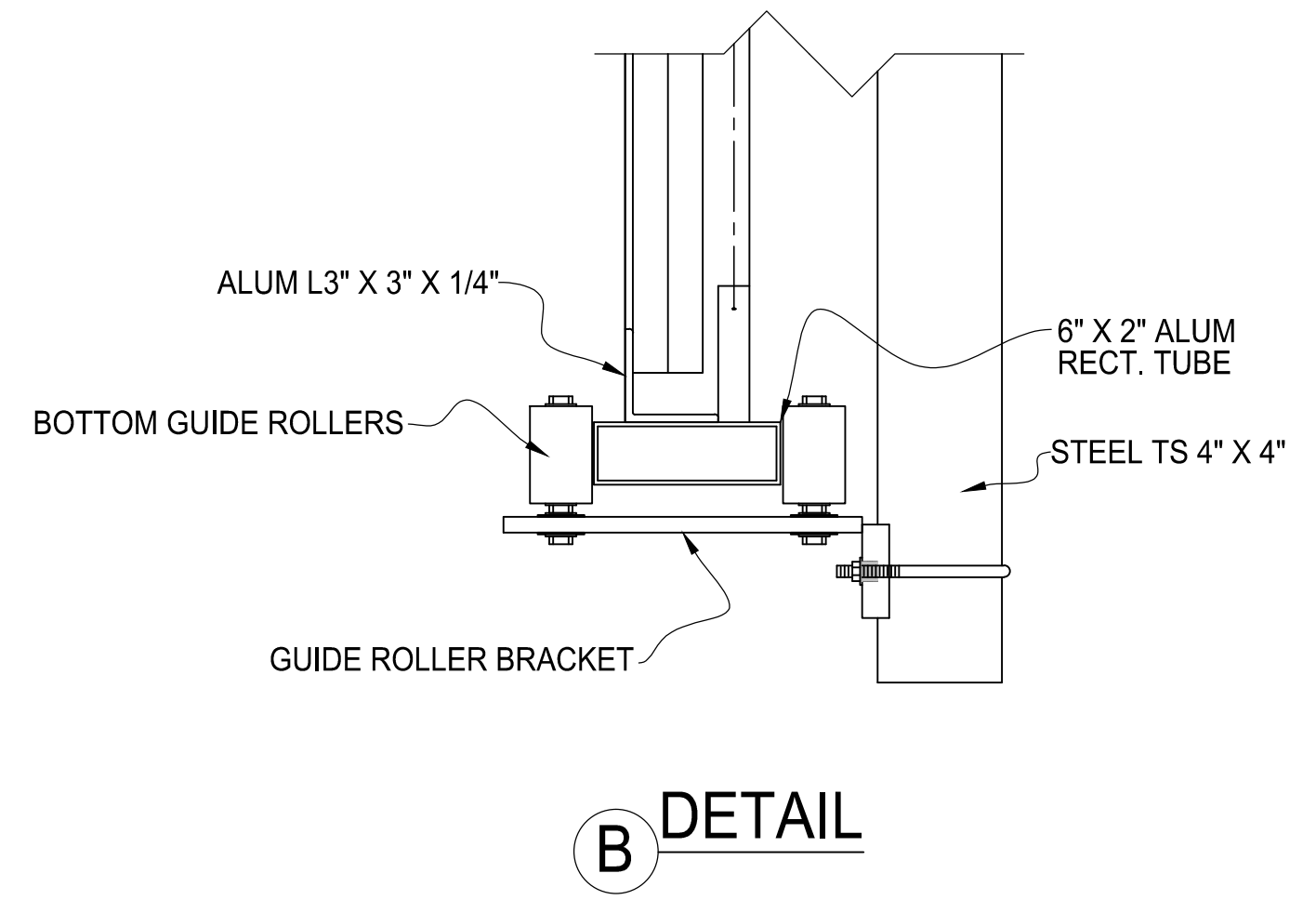


SLIDING CANTILEVER GATE
OUTSIDE LOOKING IN
 2" X 1" ALUM RECT TUBE



REV	DESCRIPTION	DATE

SLIDING CANTILEVER GATE
DIAGONAL CASINO LOUVER INFILL

AMERICAN FENCE PROJECT #	CLIENT PROJECT #
REFERENCE JOB #	SCALE: N.T.S.
CHKD BY:	DRAWN BY: AF DATE: 04/03/2018 REV SHEET # 09