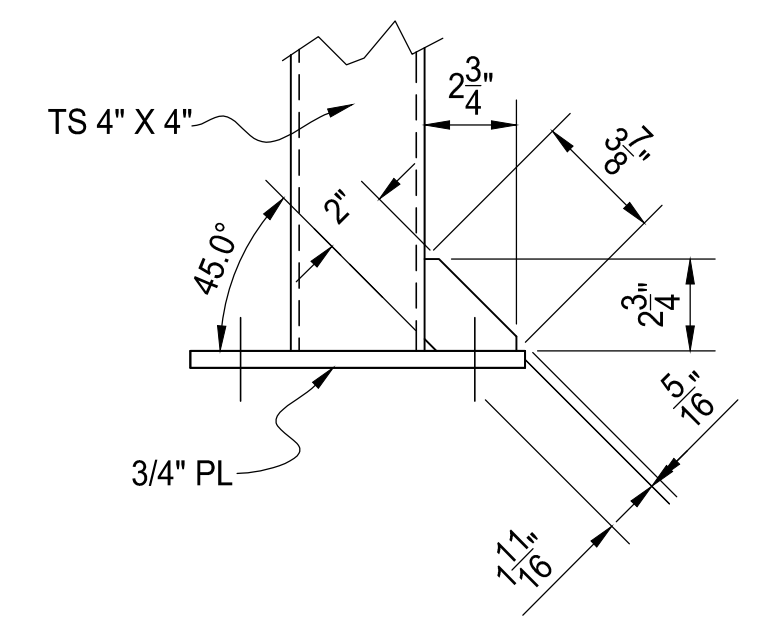


TYPICAL BASE PLATE DETAIL
STEEL



TYPICAL GUSSET DETAIL
STEEL

REV	DESCRIPTION	DATE



**GATE BASE PLATE
DIAGONAL CASINO LOUVER INFILL**

AMERICAN FENCE PROJECT #	CLIENT PROJECT #
REFERENCE JOB #	SCALE: N.T.S.
CHKD BY:	DRAWN BY: AF DATE: 04/03/2018 REV: SHEET # 07