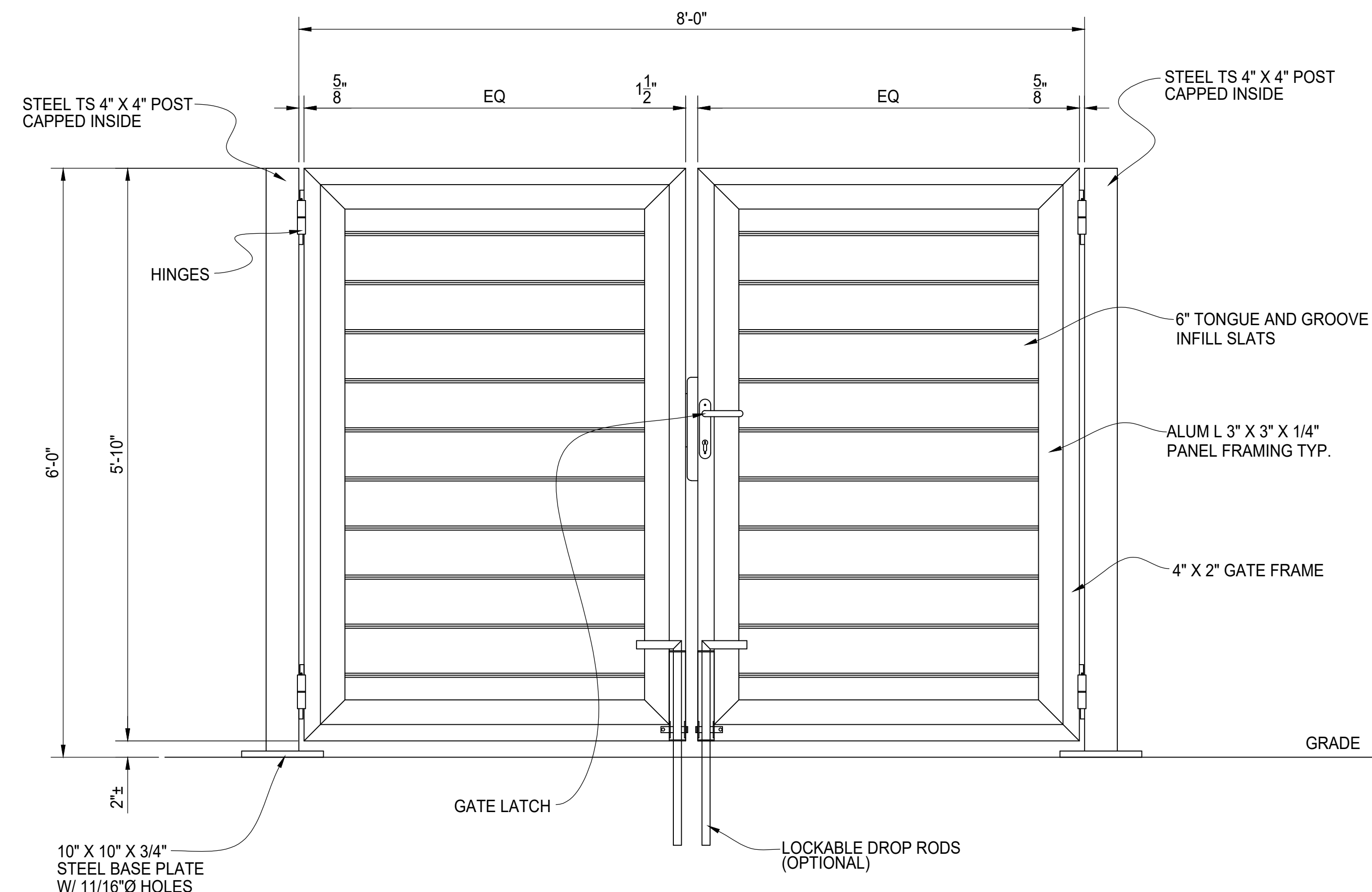
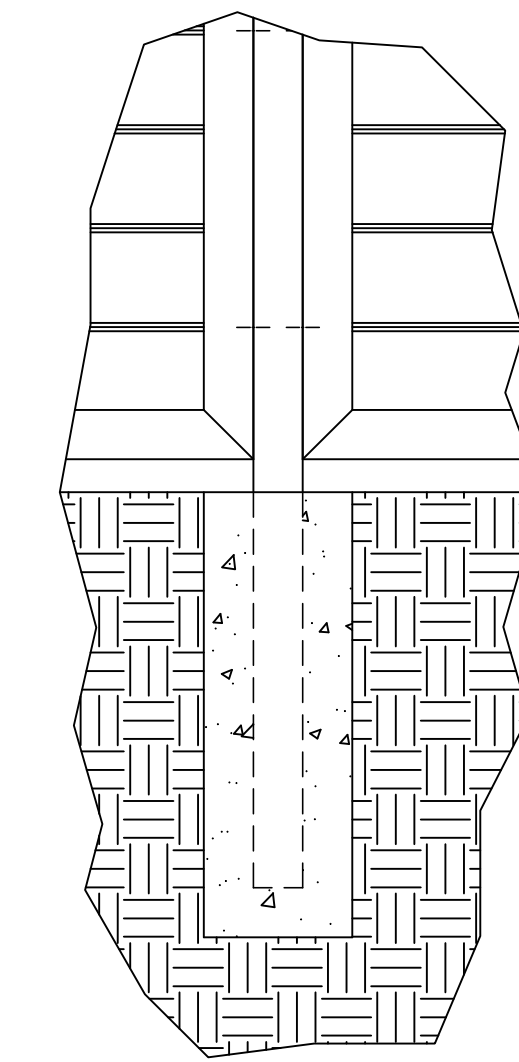


PLAN VIEW



ELEVATION VIEW

DOUBLE DRIVE GATE ASSEMBLY
 OPENING DIRECTION MAY VARY



NOTE:
 POST CAN BE SET WITH EITHER A BASE PLATE (SHOWN AT LEFT)
 OR EMBEDDED IN A FOOTING. IF USING A FOOTING, DEPTH AND
 DIAMETER TO BE DETERMINED BY END USER.

NOTE:
 PANELS SHIPPED FULLY FABRICATED AND ASSEMBLED. PANEL FRAMEWORK
 AND INFILL COLOR TO BE DETERMINED. PANEL FRAME WORK AND INFILL
 COMPOSITE COLOR TO BE DETERMINED.

REV	DESCRIPTION	DATE



**ARCHITECTURAL SOLID SCREENING
 DOUBLE DRIVE GATE AND POST DETAIL
 ALUM TONGUE AND GROOVE INFILL**

AMERICAN FENCE PROJECT #	CLIENT PROJECT #
REFERENCE JOB #	
CHKD BY:	SCALE: N.T.S.
DRAWN BY: PB	DATE: 01/29/2021
REV:	SHEET # 04