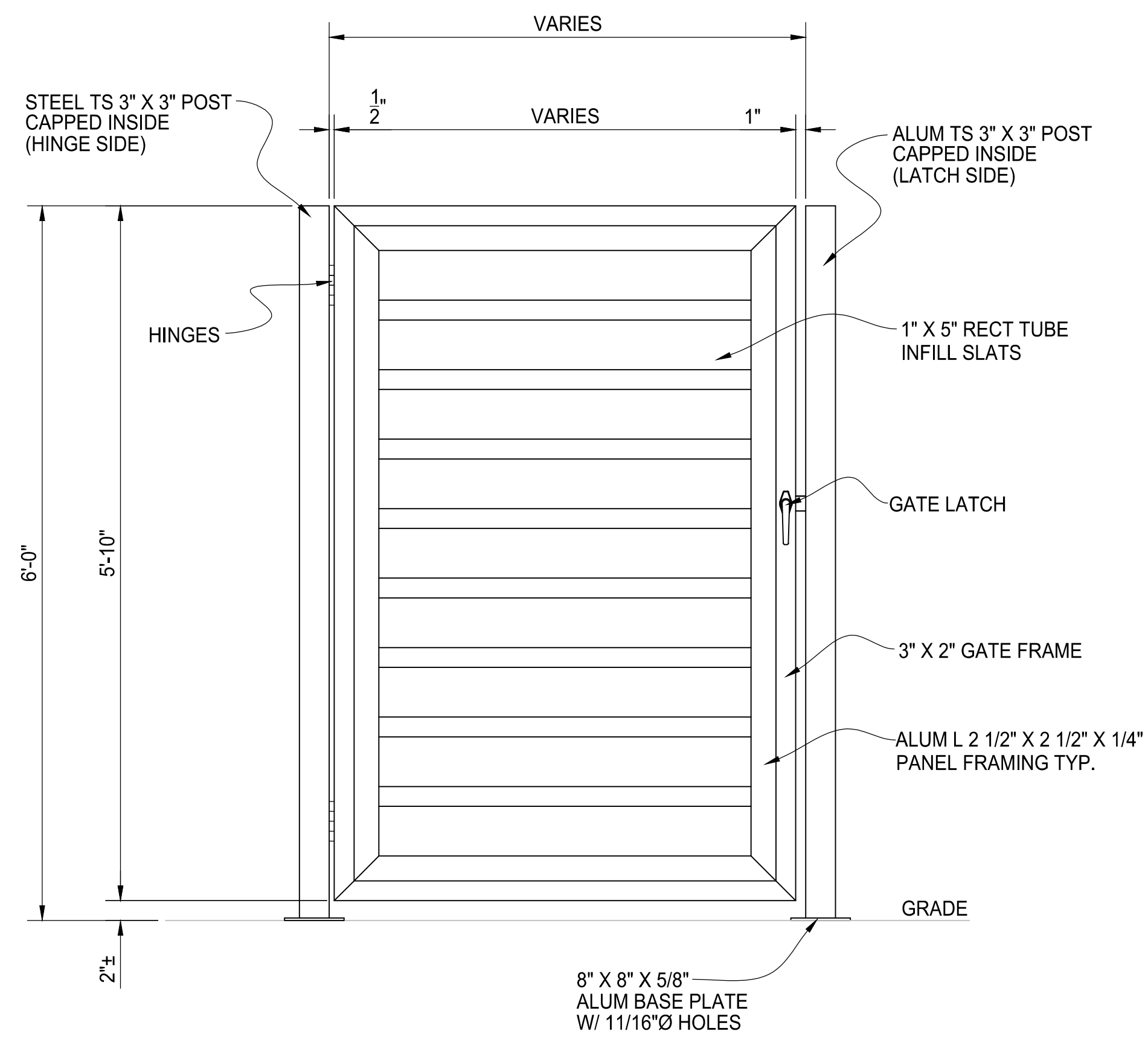


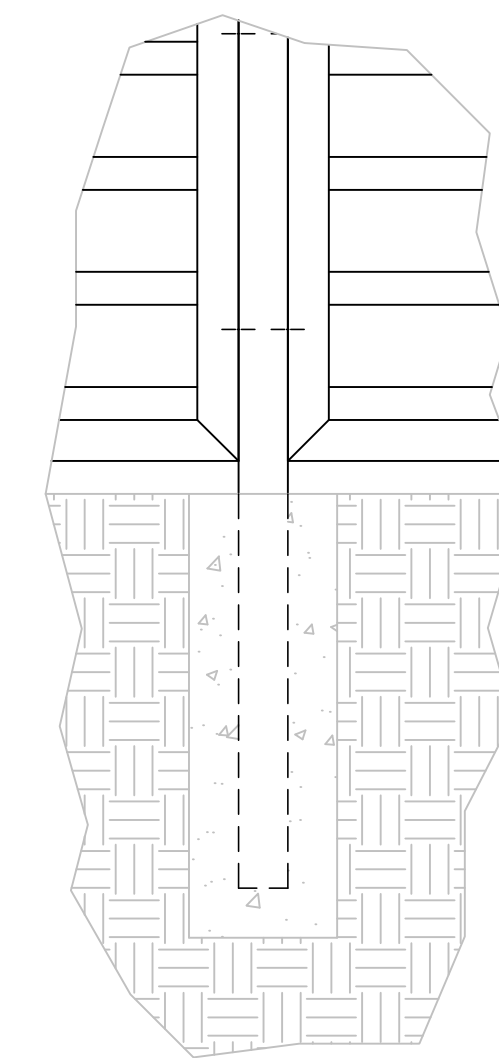
PLAN VIEW



ELEVATION VIEW

**SINGLE SWING GATE ASSEMBLY**

HINGE SIDE AND OPENING DIRECTION MAY VARY



NOTE:  
POST CAN BE SET WITH EITHER A BASE PLATE (SHOWN AT LEFT) OR EMBEDDED IN A FOOTING. IF USING A FOOTING, DEPTH AND DIAMETER TO BE DETERMINED BY END USER.

NOTE:  
PANELS SHIPPED FULLY FABRICATED AND ASSEMBLED. PANEL FRAMEWORK AND INFILL COLOR TO BE DETERMINED. PANEL FRAME WORK AND INFILL COMPOSITE COLOR TO BE DETERMINED.

REV	DESCRIPTION	DATE



ARCHITECTURAL SOLID SCREENING  
SINGLE SWING GATE AND POST DETAIL  
ALUMINUM SEMI-PRIVATE

AMERICAN FENCE PROJECT #	CLIENT PROJECT #
REFERENCE JOB #	SCALE: N.T.S.
CHKD BY:	DRAWN BY: AF DATE: 03/27/2019 REV: SHEET # 03