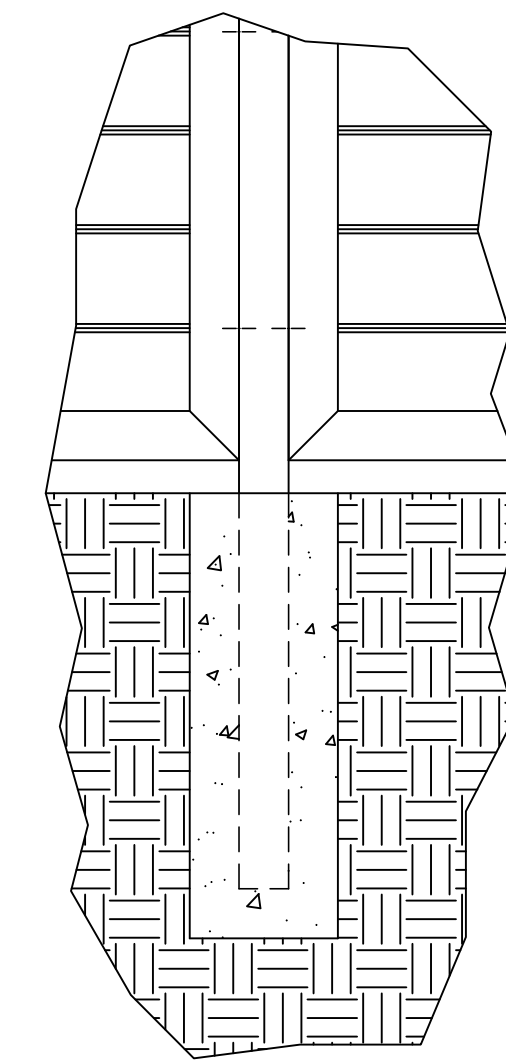


TYPICAL PANEL/POST DETAIL



NOTE:  
POST CAN BE SET WITH EITHER A BASE PLATE (SHOWN AT LEFT)  
OR EMBEDDED IN A FOOTING. IF USING A FOOTING, DEPTH AND  
DIAMETER TO BE DETERMINED BY END USER.

NOTE:  
PANELS SHIPPED FULLY FABRICATED AND ASSEMBLED. PANEL FRAMEWORK  
AND INFILL COLOR TO BE DETERMINED. PANEL FRAME WORK AND INFILL  
COMPOSITE COLOR TO BE DETERMINED.

REV/DESCRIPTION	DATE



ARCHITECTURAL SOLID SCREENING  
PANEL AND POST DETAIL  
ALUM TONGUE AND GROOVE INFILL

AMERICAN FENCE PROJECT #	CLIENT PROJECT #
REFERENCE JOB #	
CHKD BY:	SCALE: N.T.S.
DRAWN BY: PB	DATE: 01/29/2021
REV:	SHEET # 01