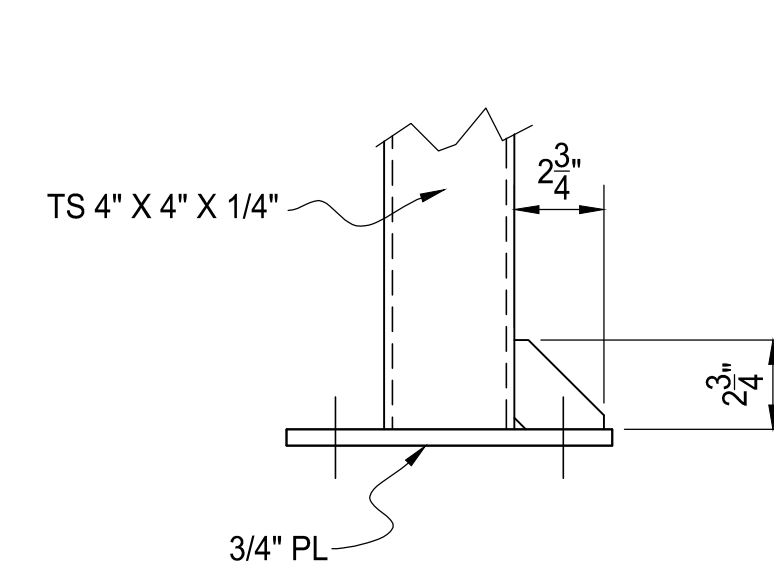


TYPICAL BASE PLATE DETAIL
ALUMINUM



TYPICAL GUSSET DETAIL
ALUMINUM

REV	DESCRIPTION	DATE



**PANEL BASE PLATE
WIRE MESH INFILL**

AMERICAN FENCE PROJECT #	CLIENT PROJECT #
REFERENCE	
JOB #	
CHD	
BY	

SCALE: N.T.S. | DRAWN BY: AF | DATE: 02/28/2018 | REV: | SHEET # 06