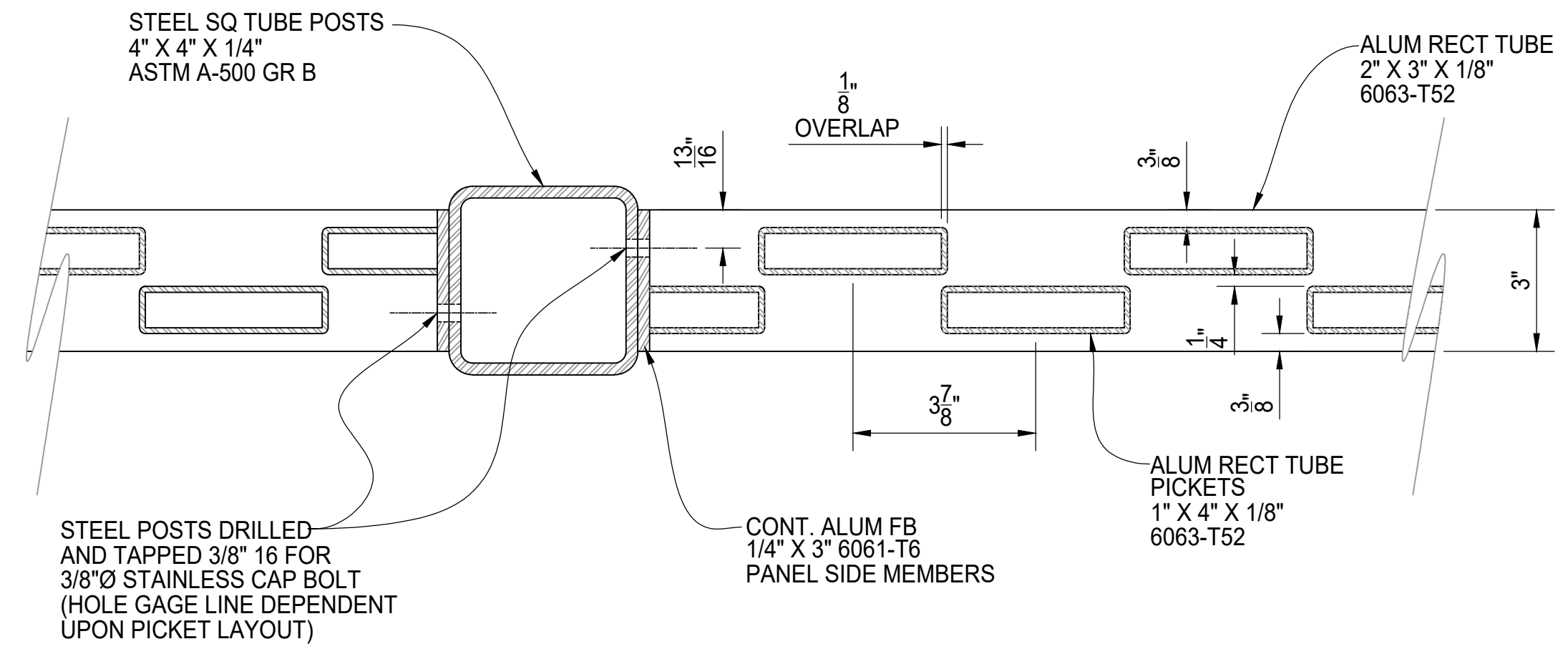
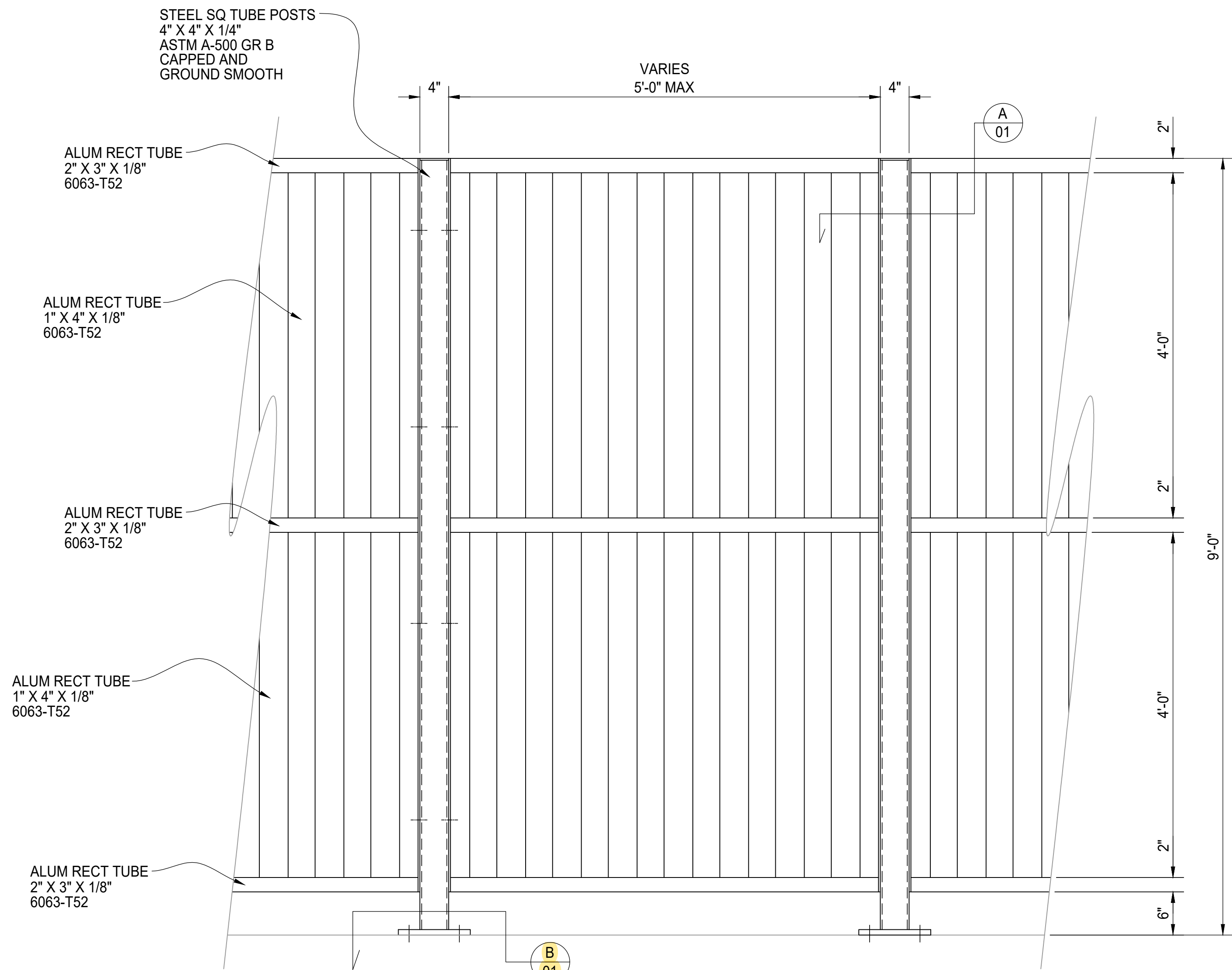


ELEVATION VIEW

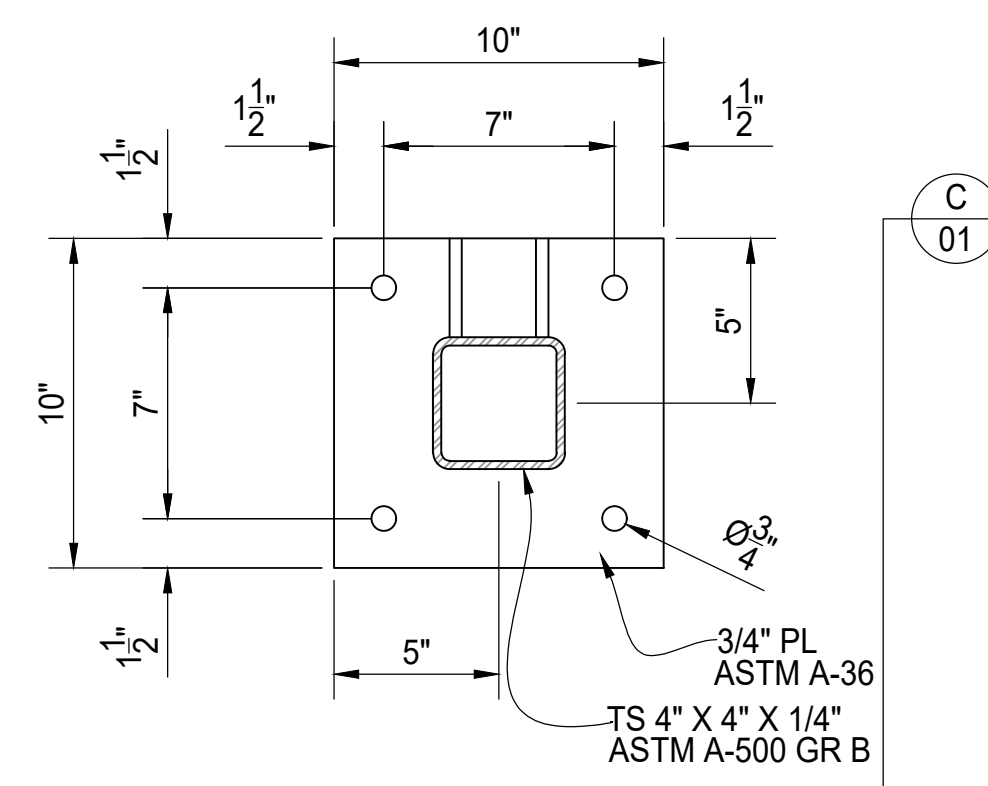


A TYPICAL SECTION

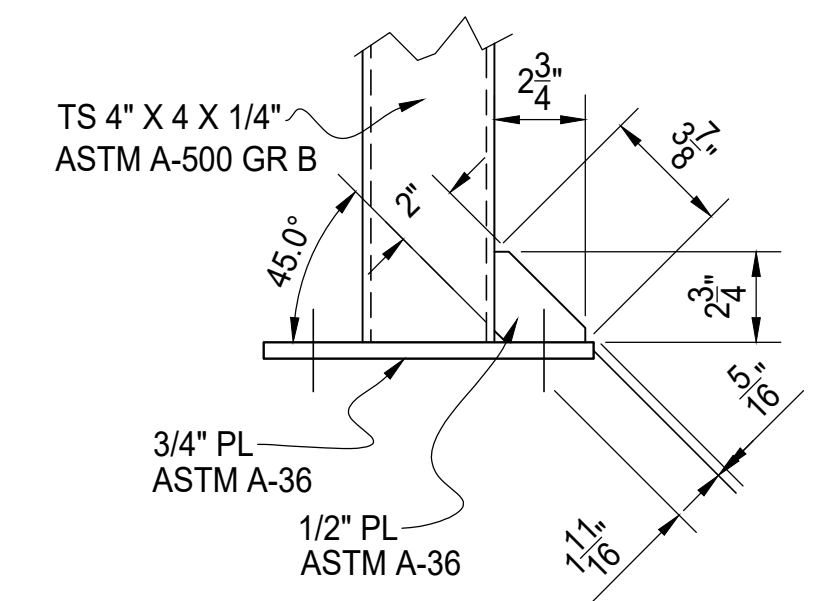


ELEVATION VIEW

TYPICAL PANEL DETAIL



B BASE PLATE DETAIL



C TYPICAL GUSSET DETAIL

REV	DESCRIPTION	DATE



PALISADE LOUVERS  
PANEL AND POST DETAILS

AMERICAN FENCE PROJECT #	CLIENT PROJECT #
REFERENCE JOB #	DRAWN BY: AF DATE: 06/13/2016
CHKD BY:	SCALE: N.T.S. REV: SHEET # 01