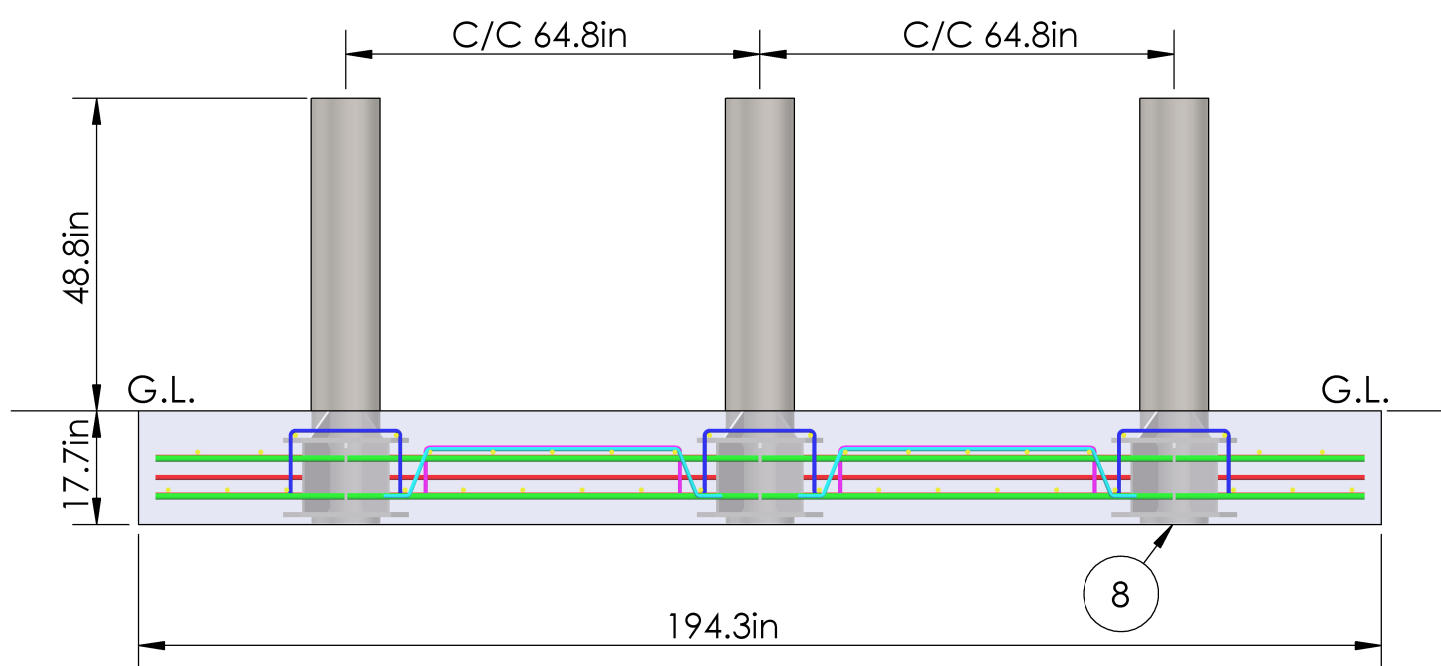
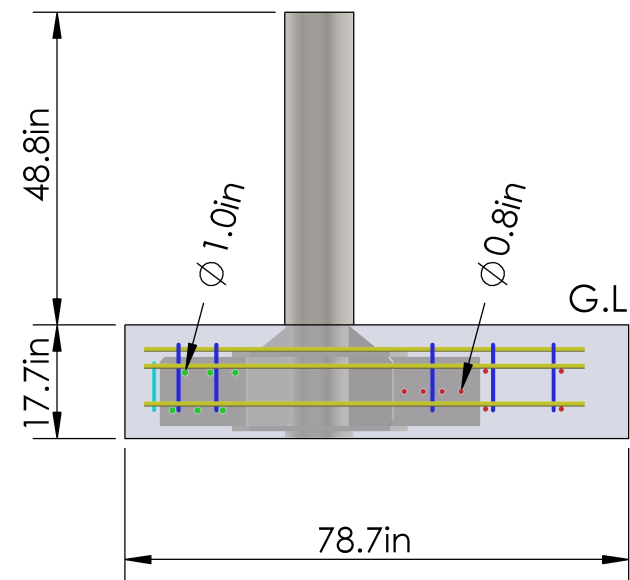


TOP VIEW

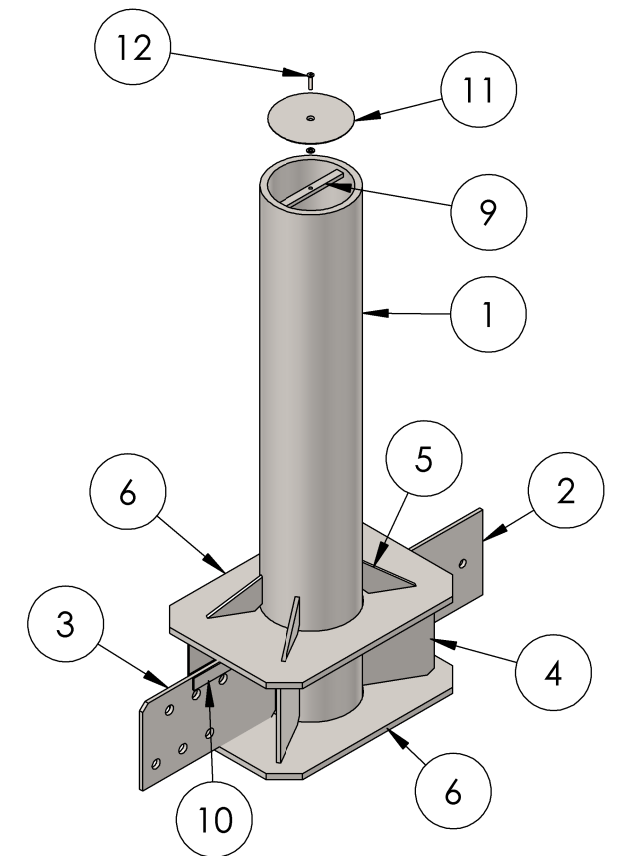


FRONT VIEW



SIDE VIEW

NOTE:- ALL DIMENSIONS ARE IN INCHES.



SR. NO.	ITEM	DESCRIPTION
01	CHS PIPE	OD ϕ 10.75in
02	REBAR HOLDING PLATE WITH FOUR HOLES	19.7x10.8in
03	REBAR HOLDING PLATE WITH 6 HOLES	19.7x10.8in
04	RECTANGULAR RIB	10.8x7.9in
05	TRIANGULAR RIB	5.9x4.2in
06	BOTTOM PLATE	27.6x19.7in
07	CHS PIPE-INSIDE	OD ϕ 8.6in
08	BOTTOM CIRCULAR PLATE	OD ϕ 10.43in
09	LIFTING PLATE	9x1in
10	STIFFENERS PLATE	5.9x1.57
11	CIRCULAR BOLLARD CAP	ϕ 9in
12	BOLT & WASHER	TAMPER PROOF TORX COUNTERSUNK BOLT WITH WASHER

AMERICAS
SECURITY GROUP, LLC

9727 TANNER RD.
HOUSTON, TX 77041

DRAWING TITLE : M50/P1 SHALLOW FOUNDATION BOLLARD

CLIENT NAME :

DRAWING NO. : CS9230640R0

DRAWN BY : MEHUL JADHAV

CHECKED BY : ANURUDHH TIWARI

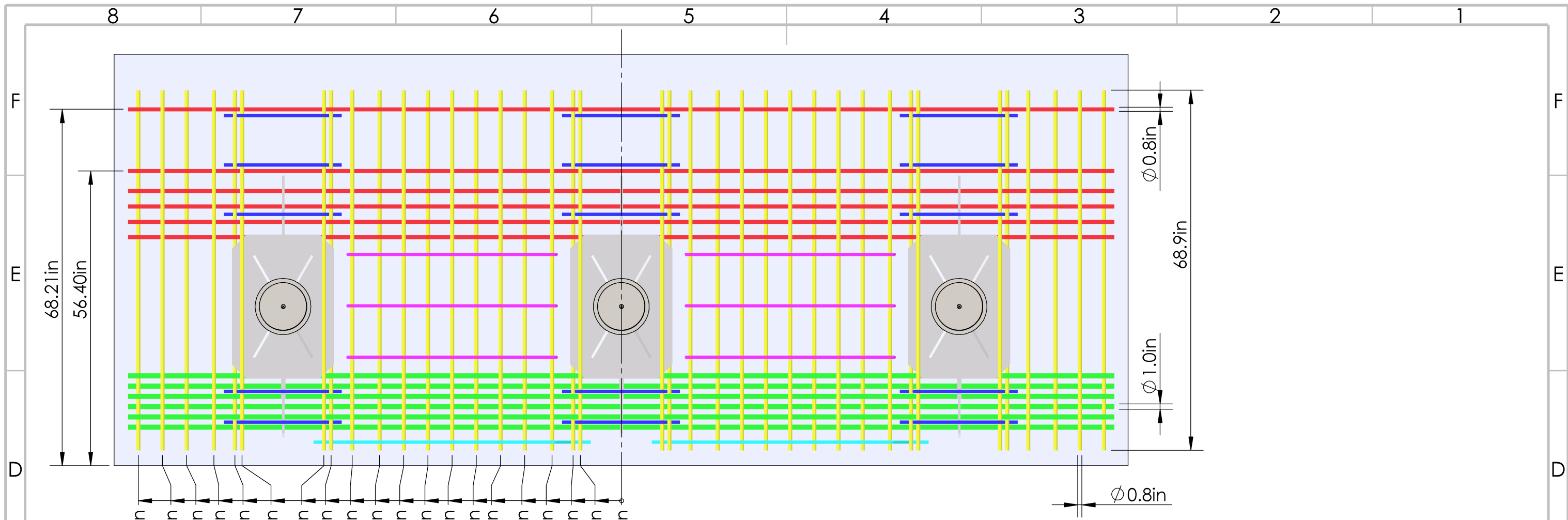
DATE : 02.06.2023

SCALE : NTS

SHEET NO. : 1 OF 4

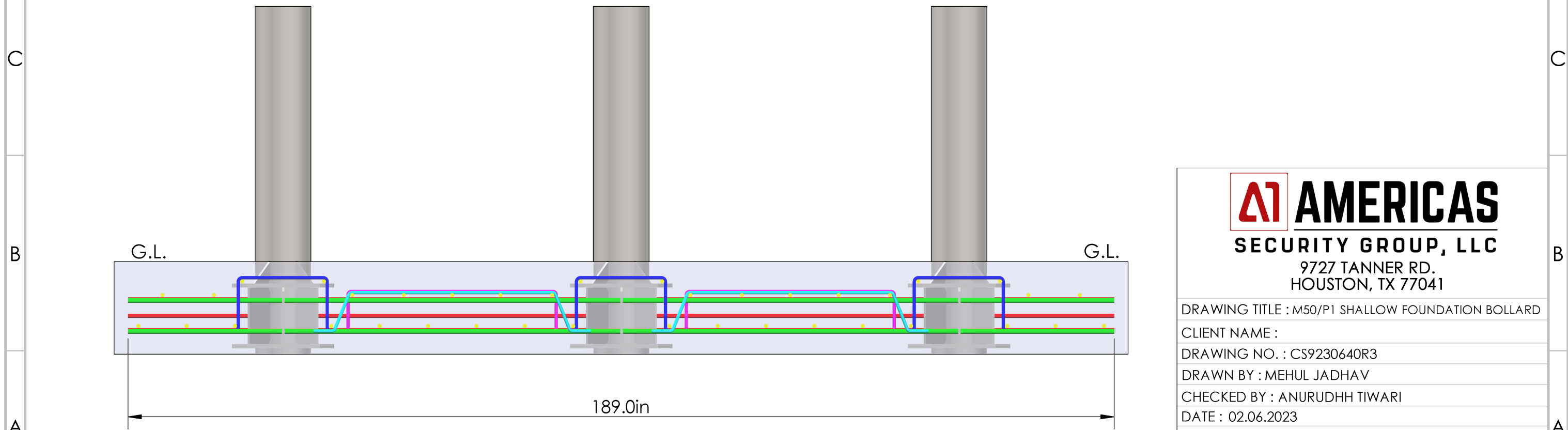
PROJECTION :





92.5in 87.9in 83.3in 78.1in 74.0in 72.6in 56.9in 55.5in 51.5in 46.3in 41.6in 37.0in 32.4in 27.8in 23.1in 18.5in 13.3in 9.3in 7.9in 0in

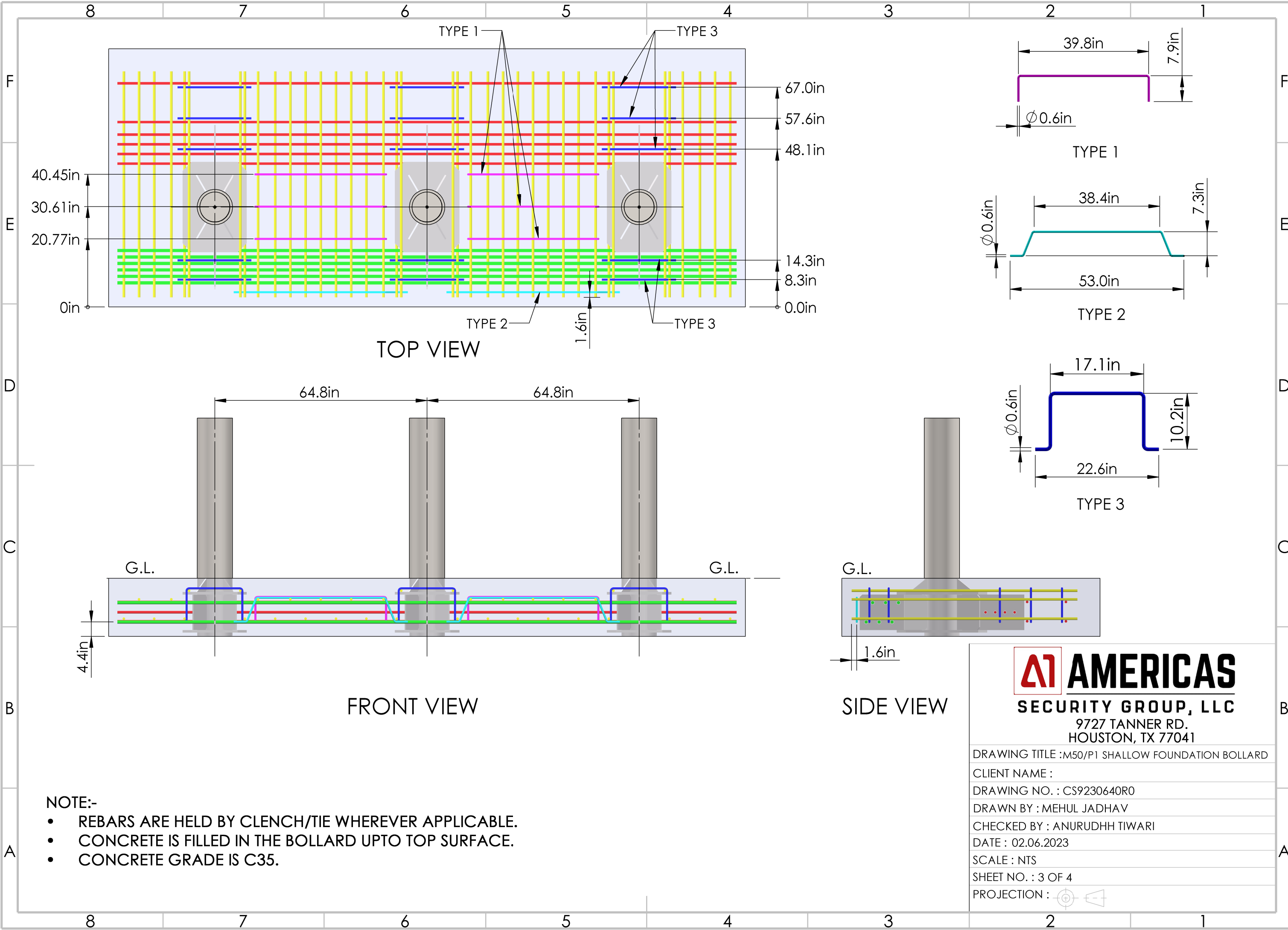
TOP VIEW



FRONT VIEW

AMERICAS
SECURITY GROUP, LLC
9727 TANNER RD.
HOUSTON, TX 77041

DRAWING TITLE : M50/P1 SHALLOW FOUNDATION BOLLARD
CLIENT NAME :
DRAWING NO. : CS9230640R3
DRAWN BY : MEHUL JADHAV
CHECKED BY : ANURUDHH TIWARI
DATE : 02.06.2023
SCALE : NTS
SHEET NO. : 2 OF 4
PROJECTION :



TOP VIEW

FRONT VIEW

SIDE VIEW

- NOTE:-
- REBARS ARE HELD BY CLENCH/TIE WHEREVER APPLICABLE.
 - CONCRETE IS FILLED IN THE BOLLARD UPTO TOP SURFACE.
 - CONCRETE GRADE IS C35.



SECURITY GROUP, LLC
 9727 TANNER RD.
 HOUSTON, TX 77041

DRAWING TITLE : M50/P1 SHALLOW FOUNDATION BOLLARD

CLIENT NAME :

DRAWING NO. : CS9230640R0

DRAWN BY : MEHUL JADHAV

CHECKED BY : ANURUDHH TIWARI

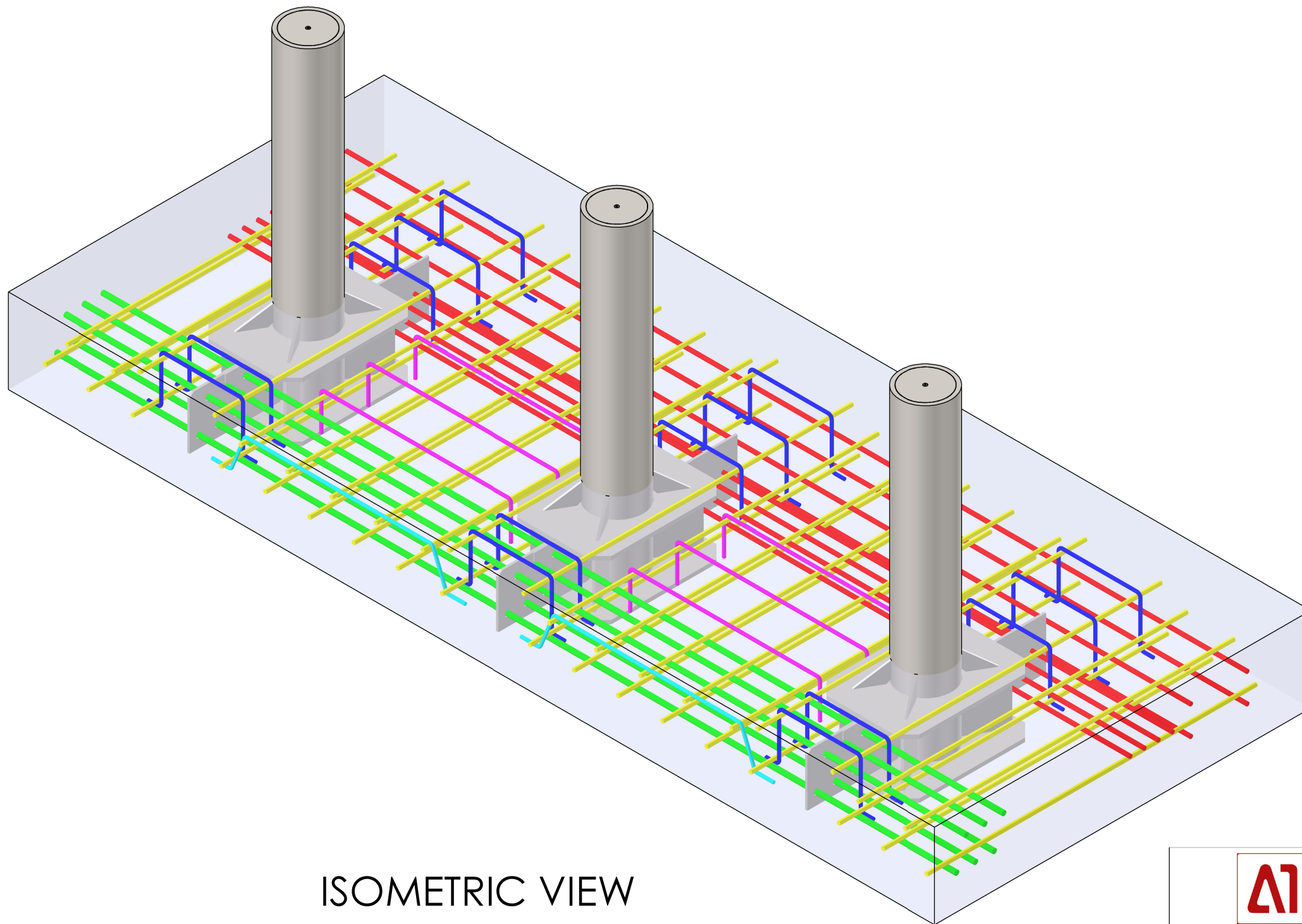
DATE : 02.06.2023

SCALE : NTS

SHEET NO. : 3 OF 4

PROJECTION :





ISOMETRIC VIEW

AMERICAS
SECURITY GROUP, LLC
 9727 TANNER RD.
 HOUSTON, TX 77041

DRAWING TITLE : M50/P1 SHALLOW FOUNDATION BOLLARD

CLIENT NAME :

DRAWING NO. : CS9230640R3

DRAWN BY : MEHUL JADHAV

CHECKED BY : ANURUDHH TIWARI

DATE : 02.06.2023

SCALE : NTS

SHEET NO. : 4 OF 4

PROJECTION : 