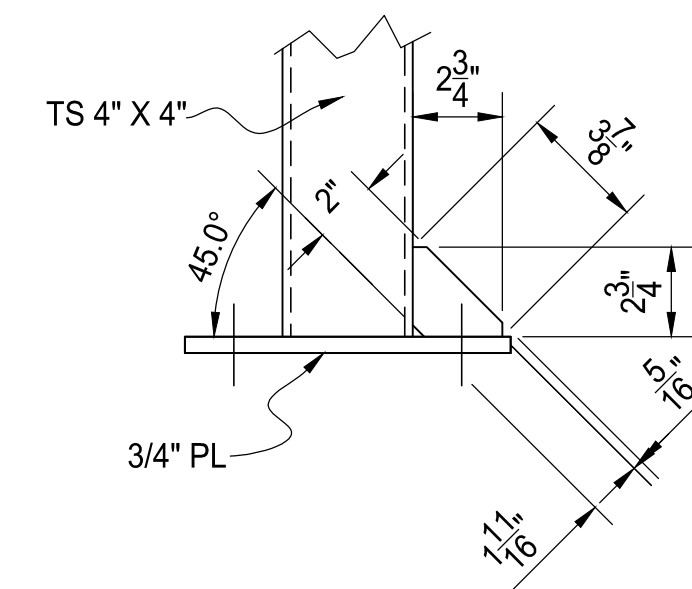


TYPICAL BASE PLATE DETAIL
STEEL



TYPICAL GUSSET DETAIL
STEEL

REV	DESCRIPTION	DATE



**GATE BASE PLATE
BAR GRATING INFILL**

AMERICAN FENCE PROJECT #	CLIENT PROJECT #
REFERENCE	
JOB #	
CHD	
BY	

SCALE: N.T.S. | DRAWN BY: AF | DATE: 02/28/2018 | REV: . | SHEET # 07